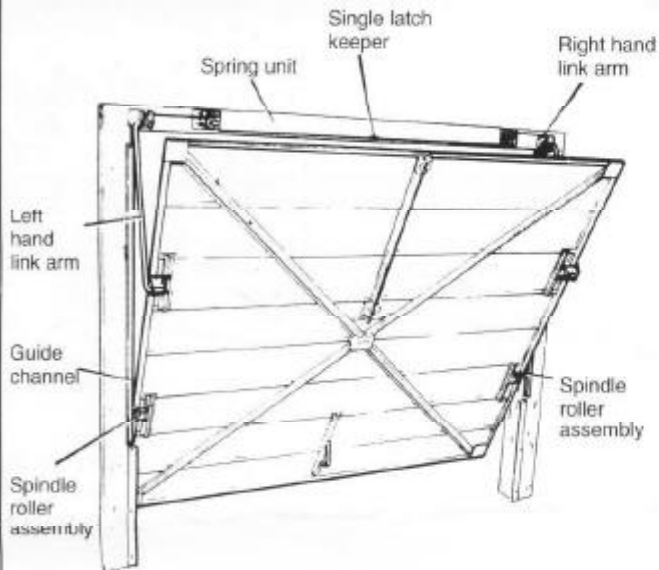


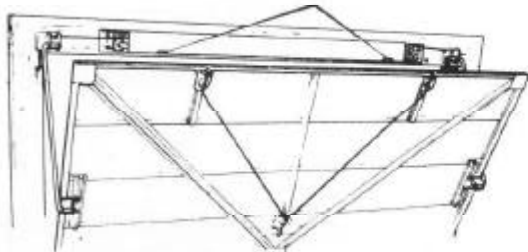
GARADOR

HOW TO FIT YOUR GARADOR MK3C OR S/S with Complete Spring Unit, New Spring, New Cable

GENERAL ARRANGEMENT

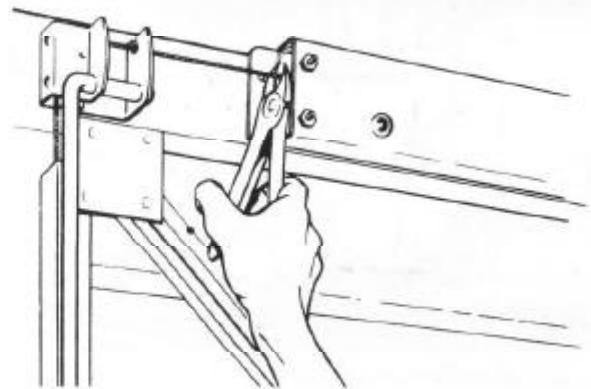


Twin latch keepers on 2.440m (8ft) x 2.135m (7ft) Mk3C door only.



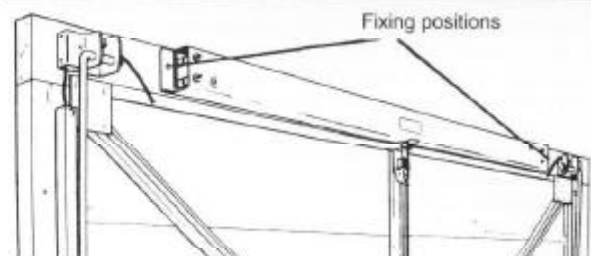
A HOW TO FIT A NEW SPRING UNIT

1



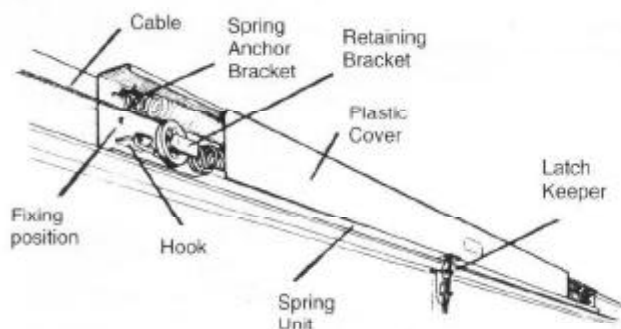
Cut remaining cables at a point as close to the spring as possible.

2

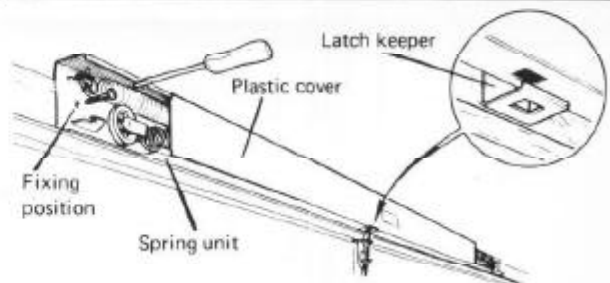


Unscrew and remove existing spring unit, also remove any pieces of cable which may still be attached to the door.

SPRING UNIT ARRANGEMENT



3

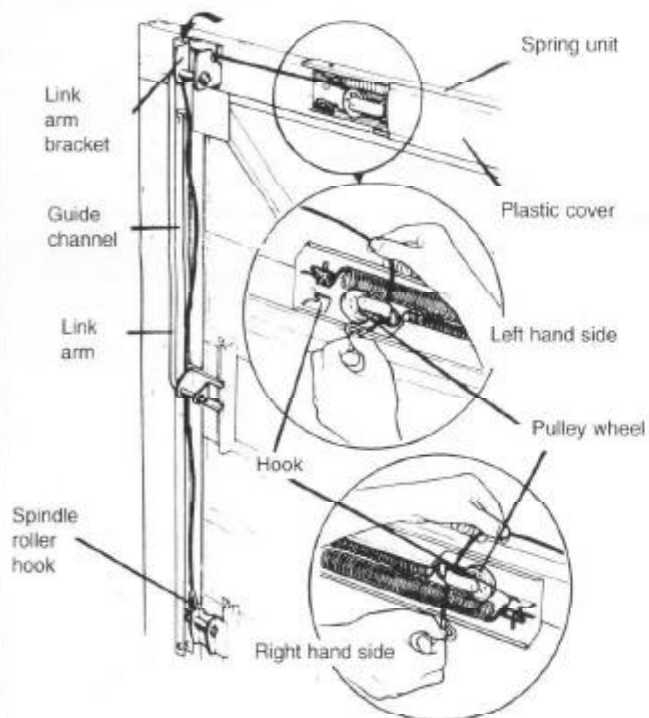


Place new spring unit onto latch keeper(s) so that the rectangular hole(s) in both spring unit and latch keeper(s) are in line. Ensure that the spring unit is parallel with the top of the door. Fix spring unit to timber head with screw provided. Repeat procedure for opposite side.

4

(a) Thread cable downwards around the pulley wheel and fasten eye over hook.

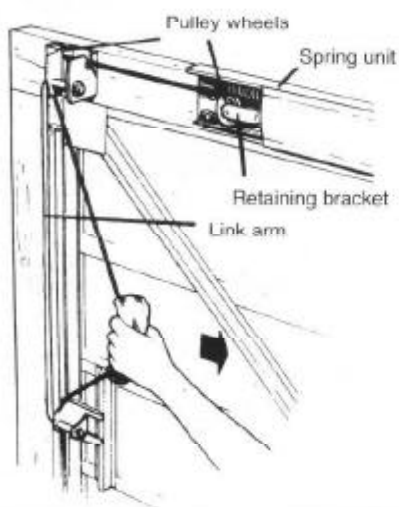
(b) Place the other end of the cable over the pulley wheel mounted in the link arm bracket and pass downwards inside guide channel behind link arm. Finally attach eye at end of the cable to hook on the spindle roller.



5

Take up slack wire by pulling cable across the door in the direction of the arrow. Ensure that the cable is snugly bedded in the grooves of both pulley wheels. Pull the cable until the retaining bracket at the end of the spring is released from its socket (it is recommended that a piece of cloth is used between the cable and hand). Some assistance may be required using the free hand to lightly pull the retaining bracket clear of its socket should it not completely release. When the retaining bracket has released allow the spring to gently take up the slack wire. Repeat procedure 4 and 5 for opposite side, ensuring cable is threaded downwards around pulley wheel.

WARNING
IT IS IMPORTANT
THAT THIS
INSTRUCTION
IS FOLLOWED
CORRECTLY AS
DAMAGE TO
CABLE OR LOSS
OF PRETENSION
COULD OCCUR.



6

Lubricate inside of guide channels, cable latch and all other moving parts. To ensure continued ease of operation lubricate periodically.

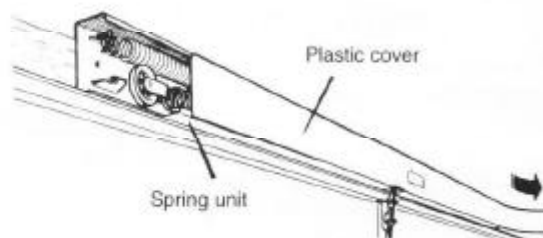
B HOW TO FIT A NEW SPRING

FOR UNITS FITTED WITH PLASTIC COVERS ONLY.

Whilst the illustrations below show the left hand side of the door, the procedures for replacing a right hand spring are the same. Should it be necessary to replace both springs, repeat procedure again.

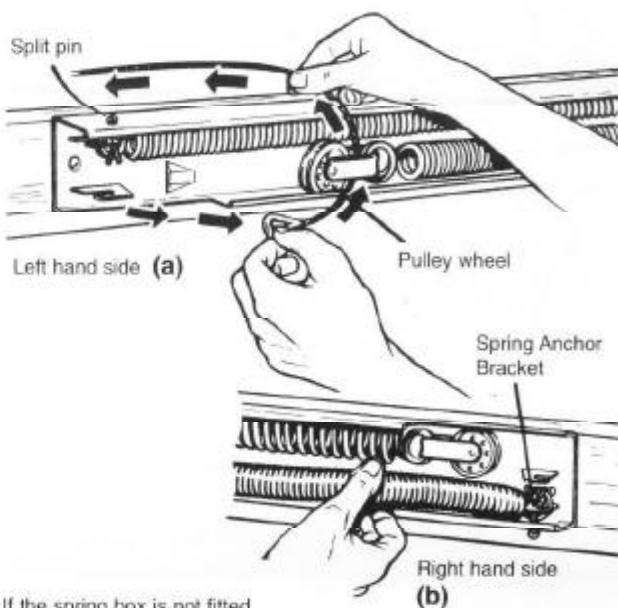
1

Remove plastic cover from the spring unit box by sliding to one side.

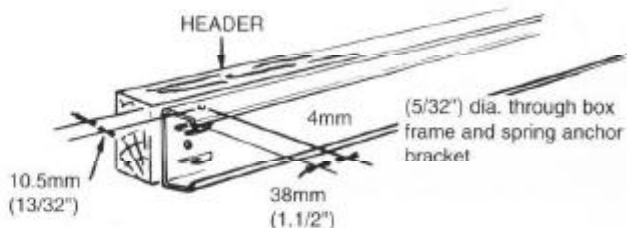


2

Ensure that the damaged spring is in the detensioned position. (a) Remove cable from around pulley wheel. (b) Remove split pin, if fitted, unhook the spring from the spring anchor bracket and remove the damaged spring.

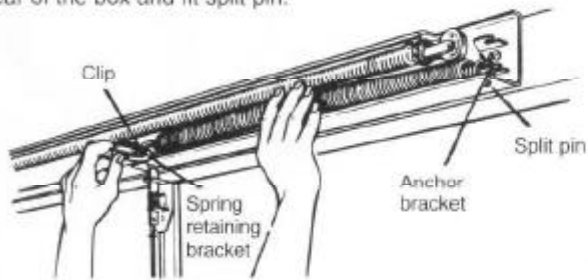


If the spring box is not fitted with split pins which retain the spring anchor bracket, it is suggested that they be fitted in the positions shown.



3

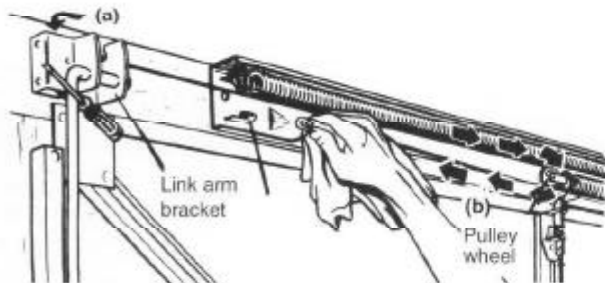
Position new spring in the box, hook spring over anchor bracket ensuring that the clip on the spring retaining bracket faces to the rear of the box and fit split pin.



4

(a) Insert one end of the cable over the pulley wheel mounted in the link arm bracket. Place a stout screwdriver through the eye of the cable, as shown.

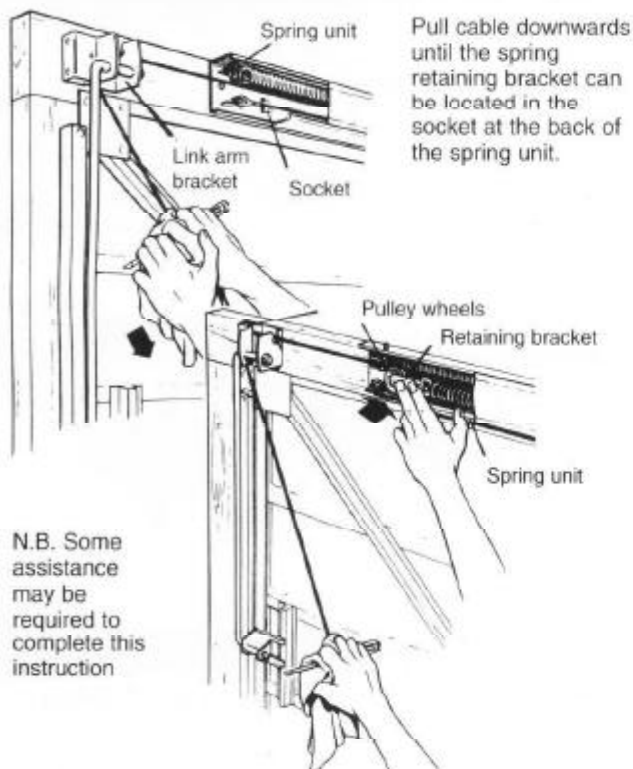
(b) Thread the other end of the cable downwards and around the pulley wheel at the end of the spring. Finally fasten eye over the hook mounted on the spring box. N.B. This last operation begins the tensioning of the spring.



5

Replace plastic cover, sliding it to a central position.

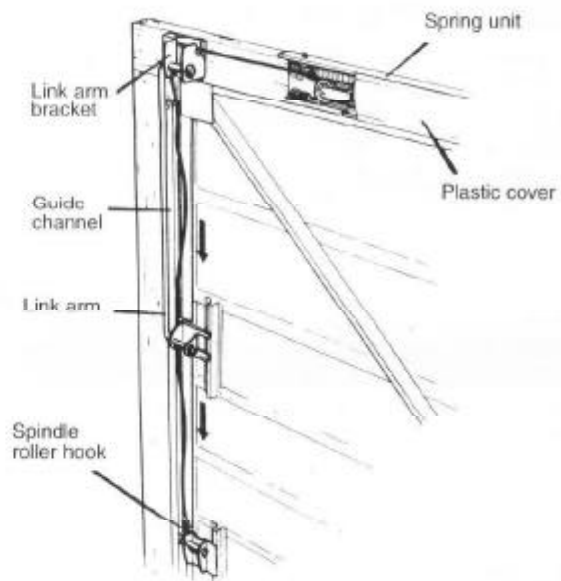
6



Pull cable downwards until the spring retaining bracket can be located in the socket at the back of the spring unit.

7

Pass the free end of the cable downward inside guide channel behind link arm. Finally attach eye at end of the cable to hook on the spindle roller.

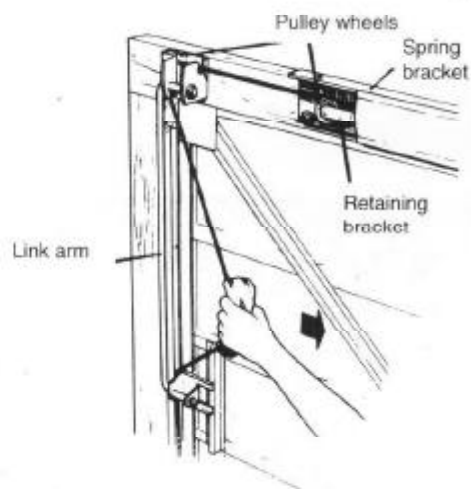


8

Take up slack wire by pulling cable across the door in the direction of the arrow. Ensure that the cable is snugly bedded in the grooves of both pulley wheels. Pull the cable until the retaining bracket at the end of the spring is released from its socket (it is recommended that a piece of cloth is used between the cable and hand). Some assistance may be required using the free hand to lightly pull the retaining bracket clear of its socket should it not completely release. When the retaining bracket has released allow the spring to gently take up the slack wire.

Warning

It is important that this instruction is followed correctly as damage to cable or loss of pretension could occur.



9

Lubricate inside of guide channels, cable latch and all other moving parts. To ensure continued ease of operation lubricate periodically.

C HOW TO FIT A NEW CABLE

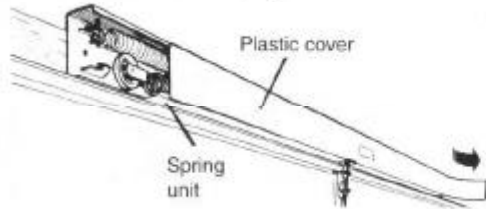
FOR UNITS FITTED WITH PLASTIC COVERS ONLY.

Whilst the illustrations below show the left hand side of the door, the procedures for replacing a right hand cable are the same. Should it be necessary to replace both cables, repeat procedure again.

1

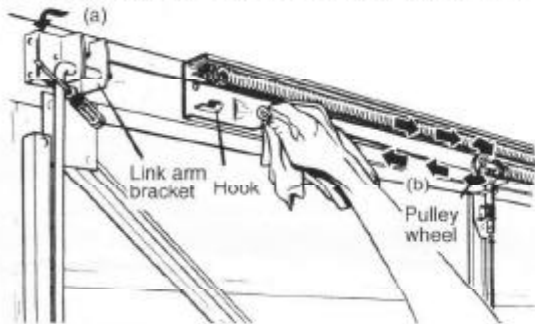
Pull cable downwards until the spring retaining bracket can be located in the socket at the back of the spring unit.

If split pins are not fitted for spring retention, it is recommended that they are fitted as shown in Paragraph B2.



2

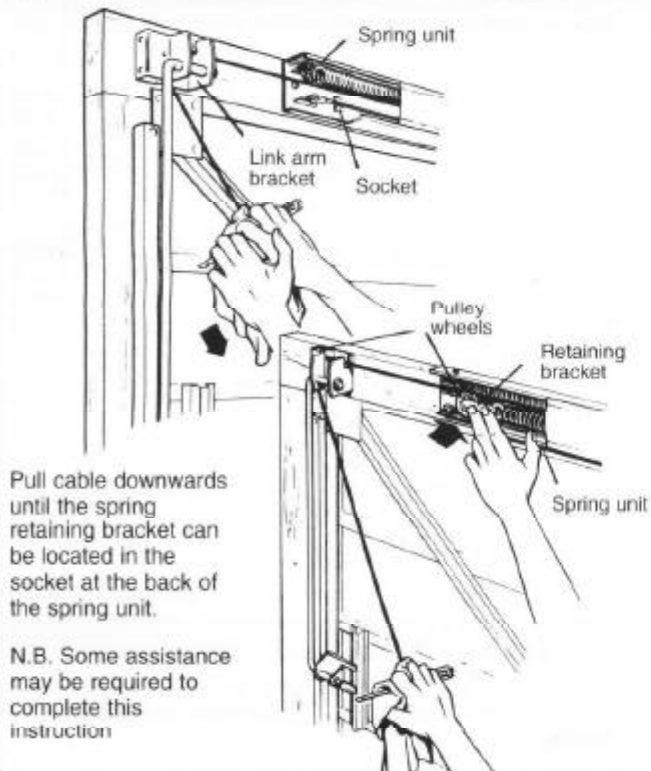
(a) insert one end of the new cable over the pulley wheel mounted in the link arm bracket. Place a stout screwdriver through the eye of the cable, as shown. (b) Thread the other end of the cable downwards and around the pulley wheel at the end of the spring. Finally fasten eye over the hook mounted on the spring box. N.B. This last operation begins the tensioning of the spring.



3

Replace plastic cover sliding it to a central position

4

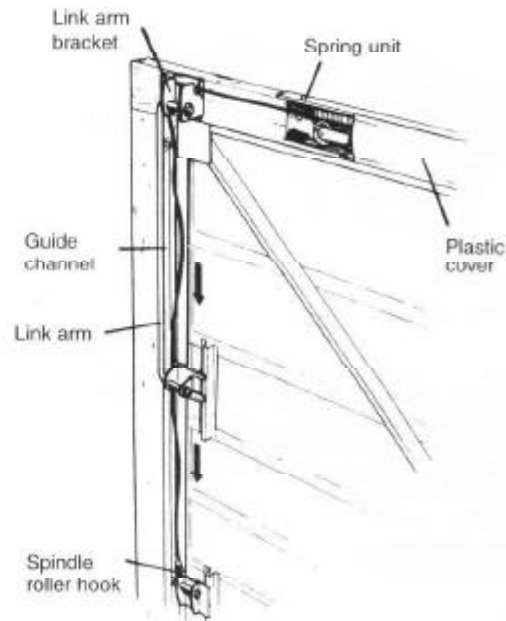


Pull cable downwards until the spring retaining bracket can be located in the socket at the back of the spring unit.

N.B. Some assistance may be required to complete this instruction

5

Pass free end of cable downward inside guide channel behind link arm. Finally attach eye at end of the cable to hook on the spindle roller.



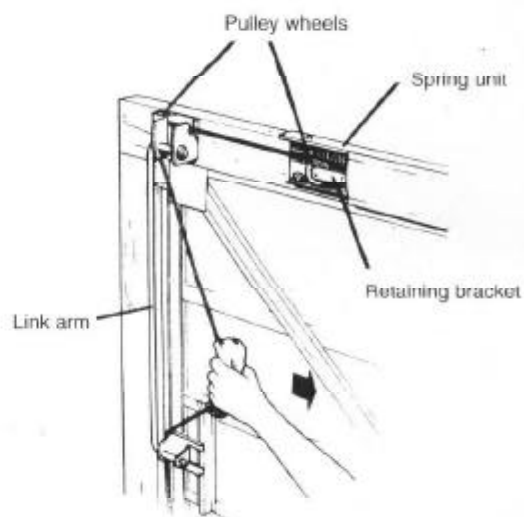
6

Take up slack wire by pulling cable across the door in the direction of the arrow. Ensure that the cable is snugly bedded in the grooves of both pulley wheels. Pull the cable until the retaining bracket at the end of the spring is released from its socket (it is recommended that a piece of cloth is used between the cable and hand). Some assistance may be required using the free hand to tightly pull the retaining bracket clear of its socket should it not completely release.

When the retaining bracket has released allow the spring to gently take up the slack wire.

Warning

It is important that this instruction is followed correctly as damage to cable or loss of pretension could occur.



7

Lubricate inside of guide channels, cable latch and all other moving parts. To ensure continued ease of operation lubricate periodically